

JVC | Instruction Book

COMPUTER CONTROLLED RECEIVER **RX-7VBK/RX-9VBK**



RX-9VBK

COMPU LINK
||| Remote |||
Control Component



RX-7VBK

For Customer Use:

Enter below the Model No. and Serial No. which is located either on the rear, bottom or side of the cabinet. Retain this information for future reference.

Model No. _____

Serial No. _____

**IMPORTANT (In the United Kingdom) .
Mains Supply (AC 240 V~, 50 Hz only)**

IMPORTANT

Do not make any connection to the Larger Terminal coded E or Green. The wires in the mains lead are coloured in accordance with the following code:



If these colours do not correspond with the terminal identifications of your plug, connect as follows:

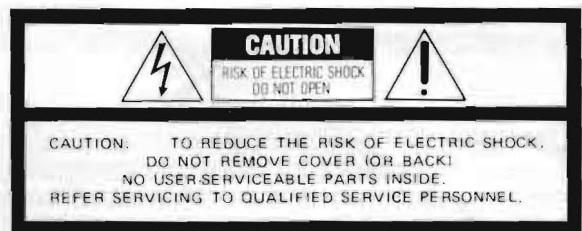
Blue wire to terminal coded N (Neutral) or coloured Black.

Brown wire to terminal coded L (Live) or coloured Red.

If in doubt – consult a competent electrician.

BEMAERK: I stilling OFF er apparatet stadig forbundet med lysnettet hvis det ønskes fuldstændig afbrudt skal netledningen trækkes ud.

WARNING: TO REDUCE THE RISK OF FIRE OR ELECTRIC SHOCK, DO NOT EXPOSE THIS APPLIANCE TO RAIN OR MOISTURE.



The lightning flash with arrowhead symbol, within an equilateral triangle, is intended to alert the user to the presence of uninsulated "dangerous voltage" within the product's enclosure that may be of sufficient magnitude to constitute a risk of electric shock to persons.



The exclamation point within an equilateral triangle is intended to alert the user to the presence of important operating and maintenance (servicing) instructions in the literature accompanying the appliance.

IMPORTANT (CANADA ONLY/CANADA SEULEMENT)

CAUTION: TO PREVENT ELECTRIC SHOCK DO NOT USE THIS (POLARIZED) PLUG WITH AN EXTENSION CORD, RECEPTACLE OR OTHER OUTLET UNLESS THE BLADES CAN BE FULLY INSERTED TO PREVENT BLADE EXPOSURE

ATTENTION: POUR PREVENIR LES CHOCS ELECTRIQUES NE PAS UTILISER CETTE FICHE POLARISEE AVEC UN PROLONGATEUR, UNE PRISE DE COURANT OU UNE AUTRE SORTIE DE COURANT, SAUF SI LES LAMES PEUVENT ETRE INSEREES A FOND SANS EN LAISSER AUCUNE PARTIE A DECOUVERT

Note to CATV system installer: (U.S.A. ONLY)

This reminder is provided to call the CATV system installer's attention to Article 820-22 of the NEC that provides guidelines for proper grounding and, in particular, specifies the cable ground shall be connected to the grounding system of the building, as close to the point of cable entry as practical.

COMPU LINK /// Remote /// Control System

COMPU LINK is a computer-linked system by which individual JVC audio and/or video components are controlled via a computer. For further details, see page 12.

CAUTION

To reduce the risk of electrical shocks, fire, etc.:

1. Do not remove screws, covers or cabinet.
2. Do not expose this appliance to rain or moisture.

Thank you for purchasing this JVC product.

Before you begin operating this unit, please read the instructions carefully to be sure you get the best possible performance.

If you have any questions, consult your JVC dealer.

Note:

This instruction booklet has been prepared for two models — the RX-7VBK and RX-9VBK. The basic operation of both models is virtually identical. The differences are clearly described, followed by respective model numbers. Please check the necessary information relevant to the model you have purchased.

CONTENTS

Important	2
Connection diagram	3
Antennas	5
Front panel	7
COMPU LINK remote control system	12
Remote control unit (RM-S9)	12
Operation	
Before use	14
Basic operation	14
Presetting to selected stations (FM or AM)	14
Listening to broadcasts	15
Listening to records	15
Listening to tapes	15
Watching and listening to VIDEO 1 (VIDEO 2)	15
When the SOUND SELECTOR function is used	15
Watching and listening to a VCR	15
Recording tapes	15
Using stereo headphones	16
Tape dubbing	16
Operation of the S.E.A. Graphic Equalizer	16
Specifications	17

IMPORTANT

1. Installation

- Select a place which is level, dry, and neither too hot nor too cold (between -5°C and $40^{\circ}\text{C}/23^{\circ}\text{F}$ and 104°F).
- Pay attention to good ventilation; putting things on the cabinet or using the receiver in a narrow and poorly ventilated place may result in the temperature rising and cause trouble.
- Leave a sufficient distance between the receiver and your TV to prevent interference noise.

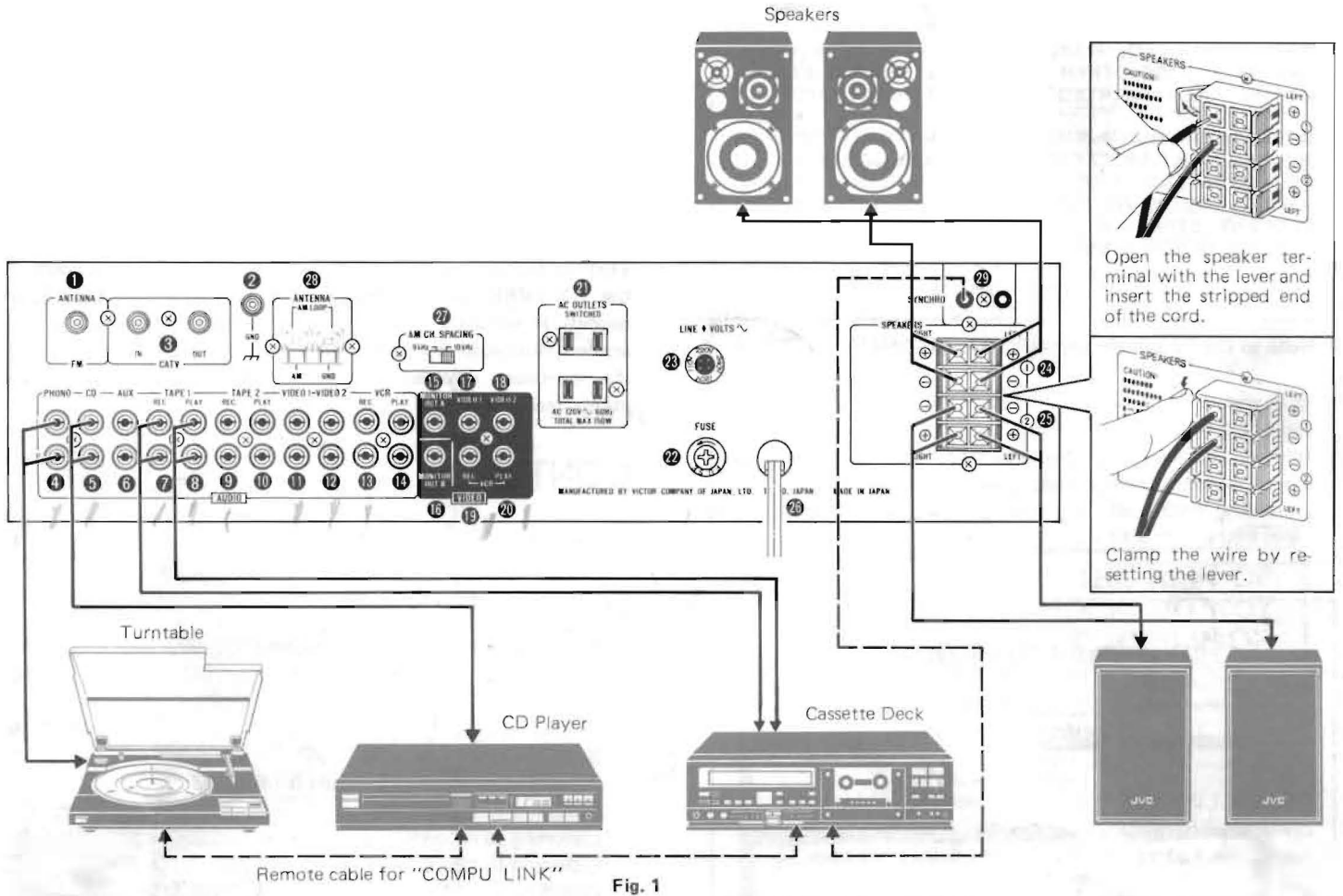
2. Power

- Do not handle the power cord with wet hands!
- When unplugging from the wall outlet, always grip the plug, not the power cord itself.

3. Malfunctions, etc.

- Do not insert any metallic object inside the receiver.

CONNECTION DIAGRAM



- *AV TV has a LINE OUT terminal
- **AV TV has a TV OUTPUT terminal

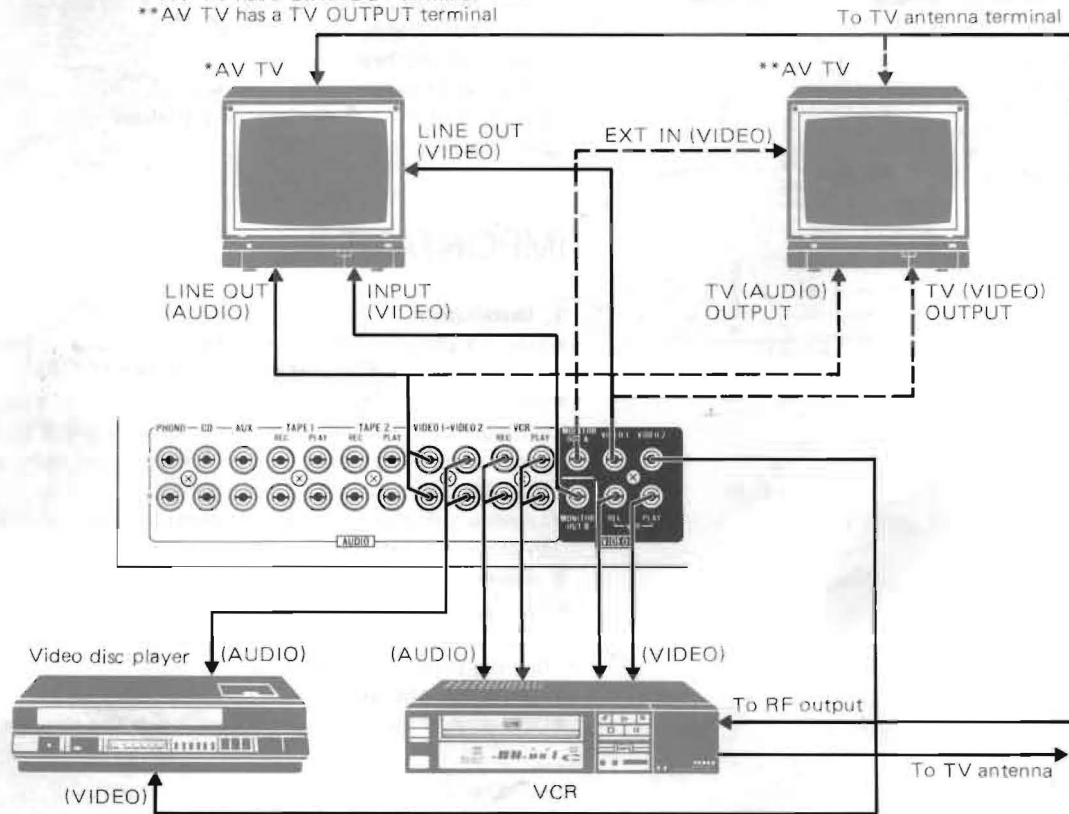


Fig. 2

- ① External ANTENNA terminals
See "ANTENNAS" on page 5.
- ② GND terminal
- ③ CATV IN/OUT terminals
See "ANTENNAS" on page 5.

AUDIO . . . For audio signal connection

- ④ PHONO terminals
- ⑤ CD terminals
- ⑥ AUX terminals
- ⑦ TAPE 1 REC terminals
- ⑧ TAPE 1 PLAY terminals
- ⑨ TAPE 2 REC terminals
- ⑩ TAPE 2 PLAY terminals
- ⑪ VIDEO 1 terminals
- ⑫ VIDEO 2 terminals
- ⑬ VCR REC terminals
- ⑭ VCR PLAY terminals

Notes:

- These VIDEO 1 and VIDEO 2 terminals can also be used to receive audio signals from audio equipment.
- The VCR terminals can also be used as TAPE terminals for an extra tape deck.

VIDEO . . . For video signal connection

- ⑮ MONITOR OUT A terminal
Connect the VIDEO MONITOR OUT A terminal to an AV TV with a TV OUTPUT terminal or a television provided with a video input terminal, to reproduce video signals.
- ⑯ MONITOR OUT B terminal
Connect any of several JVC-specified TVs or an AV TV with a LINE OUT terminal. No signal is output from this terminal when the VIDEO 1 source is selected.
- ⑰ VIDEO 1 terminal
Connect any of several JVC-specified TVs, an AV TV with a LINE OUT terminal or an ordinary video unit.
- ⑱ VIDEO 2 terminal
- ⑲ VCR REC terminal
- ⑳ VCR PLAY terminal

GENERAL

- ㉑ AC OUTLETS (SWITCHED)
- ㉒ Fuse holder**
- ㉓ Voltage selector***
When this equipment is used in an area where the supply voltage is different from the preset voltage, reset the voltage selector to the correct position.
- ㉔ SPEAKERS 1 terminals
- ㉕ SPEAKERS 2 terminals
- ㉖ Power cord
- ㉗ AM channel spacing switch***

The AM channel spacing switch on the rear panel allows selection of 9 kHz or 10 kHz steps, depending on your area.

Area	Band	
	FM	AM
U.S.A., Canada	100 kHz	10 kHz
Continental Europe, U.K., Australia	50 kHz	9 kHz
Other areas	50 kHz	*9 kHz 10 kHz

Note: *Preset at the factory.

Example

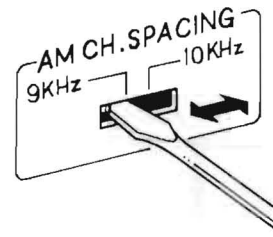


Fig. 3

Switch over using the tip of a screwdriver as shown in Fig. 3.

- ㉘ AM loop antenna terminal
See "ANTENNAS" on page 5.
- ㉙ SYNCHRO terminals
Connect to units provided with a SYNCHRO terminal to let the COMPU LINK control system function.
** Not provided on units for the U.S.A., Canada, the U.K., and Australia.
*** Not provided on units for the U.S.A., Canada, Continental Europe, the U.K., and Australia.

Notes:

1. When connecting the components, make the correct left and right channel connections. Reversed channels may degrade the stereo effect.
2. Connect speakers with correct polarity: (+) to (+) and (-) to (-). Reversed polarity may degrade the stereo effect.
3. Switch the power off when connecting any component.
4. Connect plugs or wires firmly. Poor contact may result in hum.
5. Use speakers with an impedance of 8 ohms or more (16 ohms when the 1 + 2 position is used). Speakers with an impedance down to 4 ohms (8 ohms when the 1 + 2 position is used) may be used, in which case the temperature rise of the cabinet may not satisfy BS415 or IEC 65. Be sure to provide good ventilation, especially when speakers with an impedance of 4 ohms (8 ohms when the 1 + 2 position is used) are used.
6. The AC outlets provide no power when the power is turned off. Do not connect equipment requiring more than the outlet's specified value.
7. Keep the connection cords as far as possible from the TV.

ANTENNAS

(for the U.S.A and Canada)

Use of CATV cable

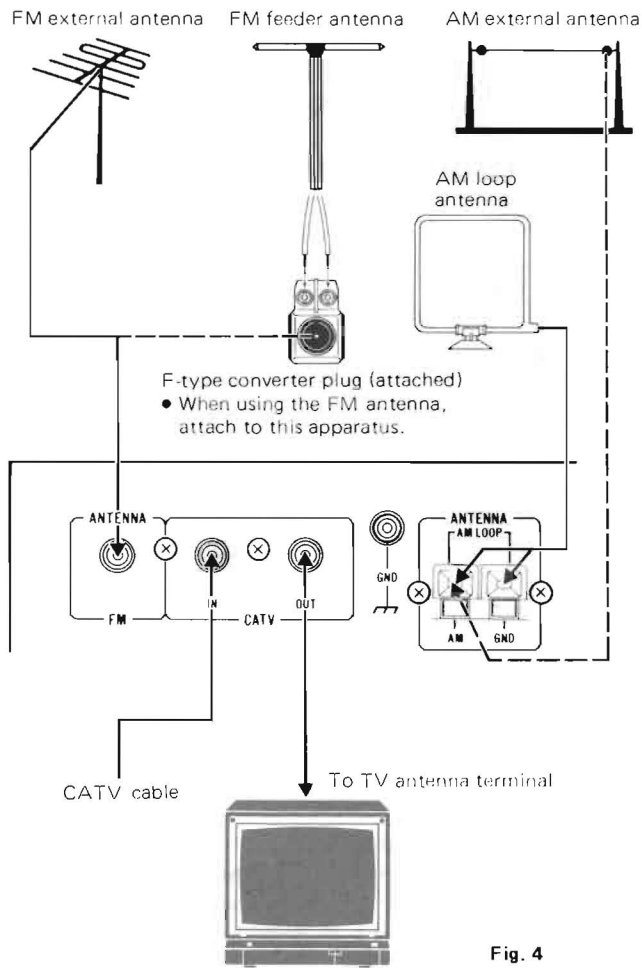


Fig. 4

When using 2 FM antennas

FM ANTENNA and CATV IN terminals can also be used for 2 FM antennas.

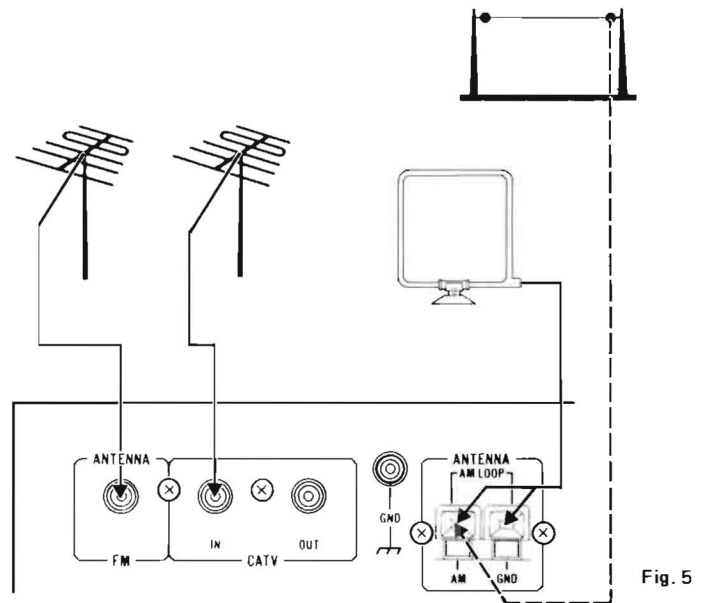


Fig. 5

CAUTION:

- When a television is connected to the CATV OUT terminal of this unit, pulsating sound and a blinking picture may result because the signal entering the CATV IN terminal is too weak. If this happens, connect a CATV booster amplifier to the CATV IN terminal to strengthen the signal.
- If the outdoor antenna installation is impossible and if the TV signal strength is weak, FM signal may interfere with the TV picture and sound.
- Before connecting this unit to the CATV system, consult the cable company.

(for W. Germany)

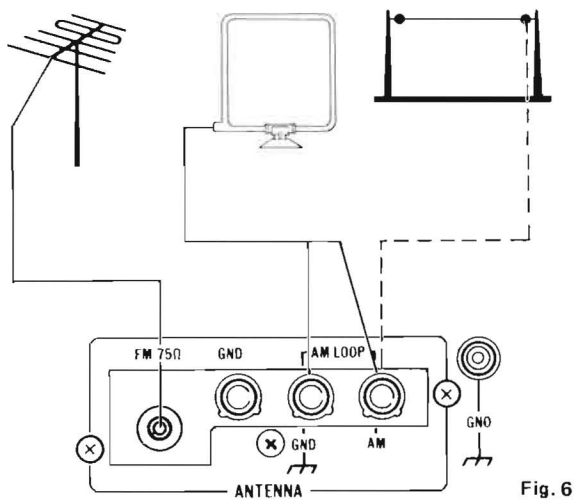


Fig. 6

(for other areas)

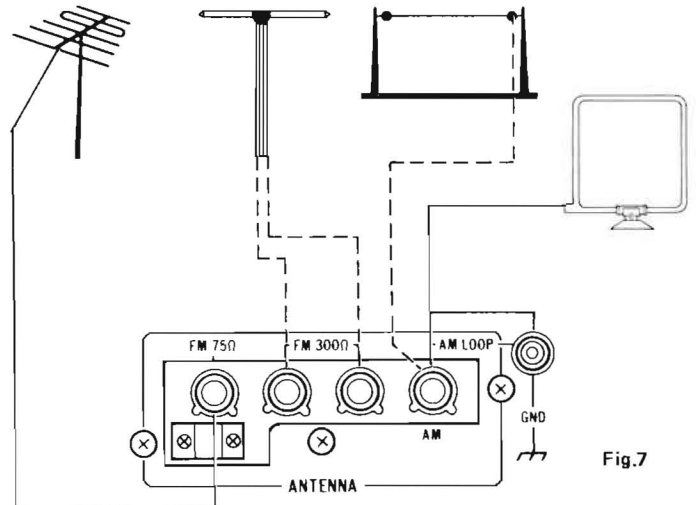


Fig. 7

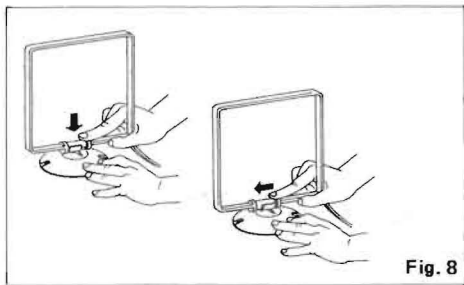


Fig. 8

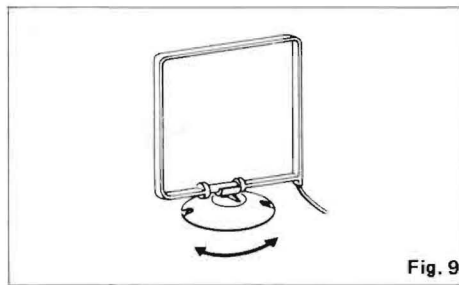


Fig. 9

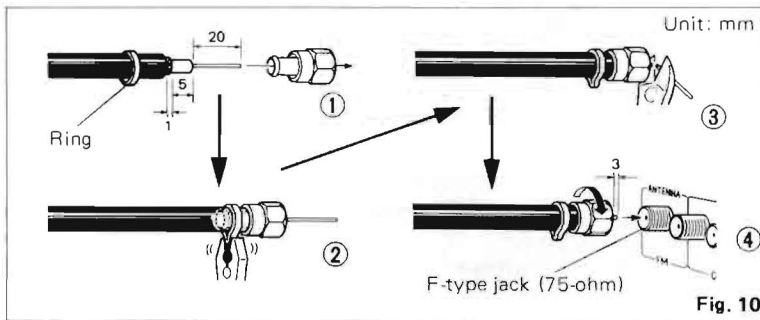


Fig. 10

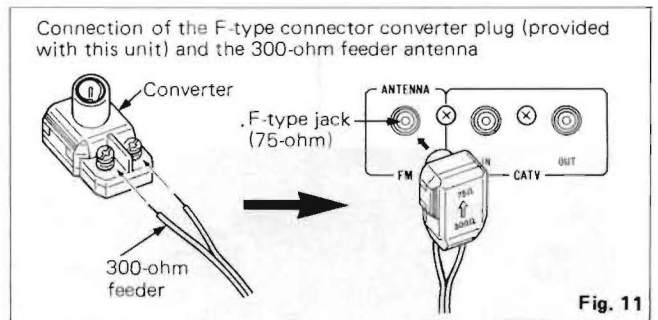


Fig. 11

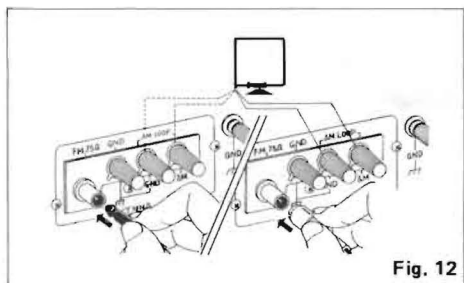


Fig. 12

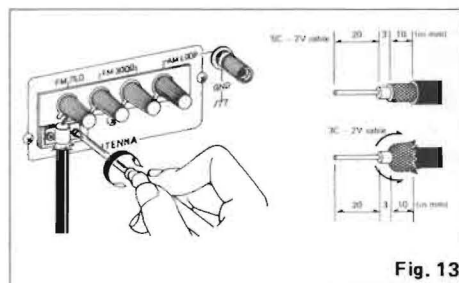


Fig. 13

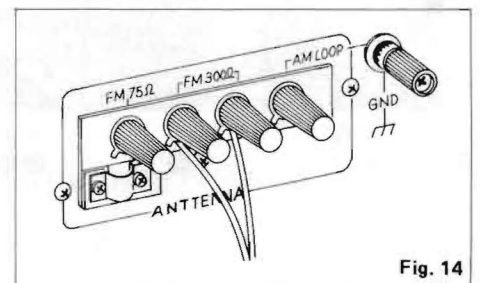


Fig. 14

AM antennas

- How to assemble the AM loop antenna (Fig. 8)
Snap the loop antenna onto the stand, then slide it as shown until firmly held in place.
- When too much noise occurs (Fig. 9)
Change the direction of the loop antenna or reinstall it in a best position.
- AM external antenna (Fig. 4 – 7)
If AM reception is not good, connect an external AM antenna (single-wire antenna) to the AM ANTENNA terminal.

Notes:

- If the provided loop antenna is not set up and its wires attached, or the antenna wires touch the rear panel, it will be impossible to receive AM broadcasts.
- If the AM loop antenna is too close to the speaker terminals, it may cause noise and should be moved away from the rear panel.
- When installing an AM external antenna, leave the AM loop antenna connected.

FM antennas

For USA & CANADA (Fig. 4, 5)

- Connection of the F-type connector and the F-type input jack of the 75-ohm coaxial cable (Fig. 10)
The F-type input jack is not provided with this unit.

- Connect an external antenna to the FM terminal, the CATV line to the CATV IN terminal, and a television to the CATV OUT terminal. (Fig. 4)
- The feeder antenna must be attached to the converter plug first and then connect to the F-type connector on the rear panel. (Fig. 11)
- The CATV IN terminal can also be used for an extra FM antenna. With this arrangement, you can switch between 2 FM antennas for the best reception. (Fig. 5)

For W. Germany (Fig. 6, 12)

- The FM wire antenna provided can be connected to the 75-ohm coaxial jack temporarily.
- 75-ohm antenna with coaxial type connector (DIN 45 332) is to be connected to the 75-ohm terminal.

For other areas (Fig. 7)

- 75-ohm antenna with coaxial lead (Fig. 13)
Loosen the screws on the bracket and insert the cable into the ring from below. Then connect the stripped core to the upper terminal. The bracket ring works as the ground terminal.
- Feeder antenna (Fig. 14)
Connect to the 300-ohm terminal.
Take care that the wires of the feeder antenna do not touch any other terminal.

FRONT PANEL

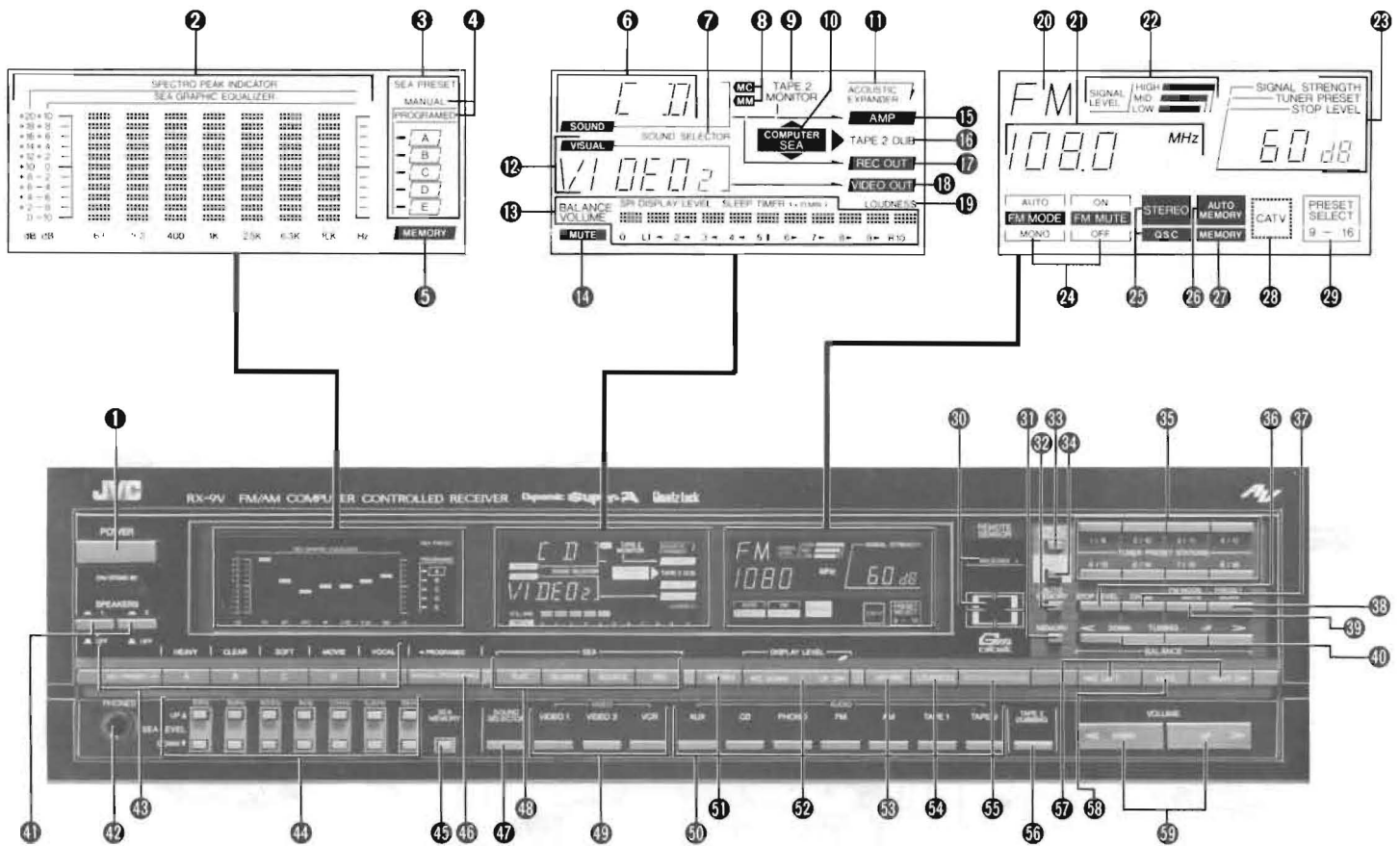


Fig. 15

1 POWER

ON: Press to turn the power on. To turn the power off, press it again.

STAND BY: Even when all of the indicators are turned off, the memory circuit operates and the preset stations and the source selectors are not subject to cancellation or accidental alteration as long as the power cord is plugged into an AC outlet. This situation is called the STAND BY mode. The preset data and the source select data are maintained even in the case of a power failure or when the power cord is disconnected, if the period power is not applied does not exceed a couple of days.

Note:

• Even in the STAND BY mode, this receiver consumes a small amount of electricity (5 watts). To shut the power completely off, disconnect the power cord.

2 SPECTRO PEAK INDICATOR/SEA GRAPHIC EQUALIZER indicator

This display doubles as a SPECTRO PEAK INDICATOR and an SEA GRAPHIC EQUALIZER indicator, and is switched between displays by pressing the SPI/SEA button.

SPECTRO PEAK INDICATOR: The output signal is divided into seven frequency bands, whose center frequencies are identical to those of the seven SEA bands. This SPECTRO PEAK INDICATOR shows the output signal level in each frequency band. For easier viewing, the indicator is designed so that its response time is faster when rising and slower when decaying.

SEA GRAPHIC EQUALIZER: The dot point rises and falls in response to the pressing of the corresponding SEA LEVEL buttons to show the SEA level in each frequency band.

Notes:

- The SEA GRAPHIC EQUALIZER level indicator is shown for about five seconds immediately after the power is applied.
- When the SEA LEVEL, SEA PRESET, SEA FLAT, SEA REVERSE, MANUAL/PROGRAMED or SEA MEMORY button is pressed, the display shows the SPECTRO PEAK INDICATOR after five sec.

3 SEA PRESET indicator

Pressing the MANUAL/PROGRAMED button will cause indicator A, B, C, D, or E to light, according to which preset pattern was being used the last time the unit was in that particular mode (MANUAL or PROGRAMED). If no preset pattern was being used, no preset pattern indicator will light. These indicators also light when an SEA PRESET button has been pressed, to select a preset pattern or to store a newly-created pattern in memory.

4 MANUAL/PROGRAMED indicator

Pressing the MANUAL/PROGRAMED button causes "MANUAL" or "PROGRAMED" to light on the display, indicating which mode has been selected.

5 MEMORY indicator

Pressing the MEMORY button lights "MEMORY" for about five seconds, thus indicating the unit is ready to store in memory the pattern you have created.

6 SOUND indicator

This shows which audio signal has been selected with the source selectors, for listening to or recording.

7 SOUND SELECTOR indicator

This indicator lights when the SOUND SELECTOR button has been pressed to ON.

8 MM/MC indicator (RX-9VBK only)

"MM" or "MC" is shown to indicate the type of cartridge in use. This indicator can be switched by the MM/MC (cartridge select) button.

9 TAPE 2 MONITOR indicator

This indicator lights when the TAPE 2 button is pressed.

10 COMPUTER SEA indicator

When the SEA SOURCE button is pressed, the upper arrow lights to show that the S.E.A. is processing the signals fed to the speakers or headphones.

When the SEA REC button is pressed during TAPE 2 dubbing, the right arrow lights to show that the S.E.A. is processing the signals output from the TAPE 1 REC or VCR REC terminals.

When the SEA REC button is pressed, the lower arrow lights to show that the S.E.A. is processing the signals output from the REC OUT terminals.

11 ACOUSTIC EXPANDER indicator

This indicator lights when the ACOUSTIC EXPANDER button has been pressed to ON.

12 VISUAL indicator

This shows which video signal has been selected with the VIDEO source selectors, for watching or recording.

13 VOLUME/BALANCE/SPI DISPLAY LEVEL/SLEEP TIMER (x 10 MIN) indicator

This indicator is used as the VOLUME, BALANCE, SPI DISPLAY LEVEL, and SLEEP TIMER indicator. Normally, "VOLUME" lights and this indicator shows the level of sound going to the speakers or headphones. When the BALANCE buttons are pressed, "BALANCE", the center bar, "L", and "R" light and the balance between the right and left speakers is shown.

When the DISPLAY LEVEL buttons are pressed, this indicator shows the level of the "SPECTRO PEAK INDICATOR". When the SLEEP button on the remote control unit is pressed, "SLEEP TIMER (x 10 MIN)" lights. Each time the SLEEP button is pressed, the sleep timer's setting is increased in 10-minute increments to up to 60 minutes, with a square on this indicator lighting for each 10-minute increment added. However, the leftmost point does not light in this mode. This indicator is also useful to check the timer's turn-off timer. The display continues in the BALANCE, SPI DISPLAY LEVEL, or SLEEP TIMER indication for about five seconds and then returns to the VOLUME indication mode.

14 MUTE indicator

This indicator lights when the MUTE button has been pressed. Pressing it again returns the volume to its original level. Pressing the VOLUME UP/DOWN buttons also cancels the muting.

15 AMP indicator

The arrow shows which source is output to the amplifier.

16 TAPE 2 DUB indicator

When the TAPE 2 DUBBING button is pressed, this indicator lights.

17 REC OUT indicator

The arrow shows which audio source is being output from the TAPE REC or VCR REC terminals.

18 VIDEO OUT indicator

The arrow shows which video source is output to the VCR REC terminal or the MONITOR OUT terminals.

19 LOUDNESS indicator

When the LOUDNESS button has been pressed, this indicator lights.

20 FM/AM indicator

"FM" is displayed during FM reception and "AM" during AM reception.

21 Frequency indicator

The tuned-in frequency is displayed digitally. Four digits (kHz) are displayed during AM reception, five digits (MHz) (for Continental Europe, U.K., Australia, and other countries) or four digits (MHz) (for U.S.A. and Canada) are displayed during FM reception.

22 SIGNAL LEVEL indicator

This is used in tuning to both FM and AM broadcasts. The signal strength is shown at three levels.

Note:

•The signal strength in dB corresponding to each level in each band is shown below.

	LOW	MID	HIGH
FM	10 – 35 dB	40 – 55 dB	More than 60 dB
AM	40 – 65 dB	70 – 85 dB	More than 90 dB

23 SIGNAL STRENGTH/TUNER PRESET/STOP LEVEL indicator

This indicator is used as the dB signal strength indicator, the tuner preset indicator showing the channel number of the preset station, and the stop level indicator for auto tuning.

This indicator can be switched between the SIGNAL STRENGTH and the TUNER PRESET display modes by pressing the CH/dB button. The STOP LEVEL display is shown by pressing the STOP LEVEL button.

Notes:

•0 dB corresponds to 1 μ V/75 ohms in FM and 1 μ V/m in AM.

•The indication is shown in 5 dB steps.

•The optimum signal strength is more than 40 dB for FM mono, more than 60 dB for FM stereo, and 70 dB for AM. If the signal is too weak or too strong, this display may not indicate the correct value.

•Even if the dB display mode is set by pressing the CH/dB button, the CH indication is displayed and maintained when the station select buttons are pressed. When the TUNING button is pressed, the 0 dB indication is displayed.

•If a broadcast is received by preset tuning, and then the CH/dB button is pressed so that the dB indication is displayed before switching the power off, the CH indication will be displayed when the power is switched on again.

24 FM MODE/FM MUTE indicators

These indicators show "AUTO"/"ON" or "MONO"/"OFF" according to the setting of the FM MODE/MUTE button.

25 STEREO/QSC indicator

STEREO: When an FM stereo broadcast is being received, this indicator lights. When the MODE indicator shows "MONO", this indicator will not light even if a stereo FM broadcast is being received. In that case, press the FM MODE/MUTE button so that "AUTO" is shown.

QSC: When the signal strength of an FM stereo broadcast is low, this indicator lights and the QSC (Quieting Slope Control) circuit is switched on to reduce noise.

26 AUTO MEMORY indicator

Lights when the AUTO MEMORY button is set to on.

27 MEMORY indicator

Lights for about five seconds when the MEMORY button is pressed to on, or for one second when a frequency is stored in memory during auto memory.

28 CATV indicator (only for the U.S.A. and Canada)

When the CATV button is pressed to on, this indicator lights to show that this unit receives CATV programs.

29 PRESET SELECT indicator

Each time the PRESET SELECT button is pressed, this indicator shows "1 - 8" or "9 - 16" to show the group of preset stations to be selected.

30 REMOTE SENSOR

While infrared signals are being received from the remote control unit, the RECEIVED indicator lights.

31 MEMORY

Press this button, and the MEMORY indicator will light to show that it is ready to receive a memory setting. Pressing the station select button while the MEMORY indicator is lit (for about five seconds) makes it possible to store the station in the specified memory. At this time, the channel number is shown in the display.

32 AUTO MEMORY

After setting the stop level using the STOP LEVEL button, press this button and then one of the TUNER PRESET STATIONS buttons to scan and preset broadcasts automatically. Starting from the frequency being displayed, the tuner tunes in to increasingly higher frequencies, until a broadcast is tuned in. Then its signal strength is shown in dB for one second and the channel number you have pressed earlier flickers for three seconds. If you don't wish to store this station in memory, press this button within four seconds; the dB indication is shown and the scan function starts again. Otherwise, the MEMORY indicator and channel number light together and the frequency is stored in that channel. Then the next channel number is shown and up-scanning restarts, as the tuner automatically searches for a frequency to store in the next channel. This process continues until the highest numbered channel preset station has a frequency stored in its memory.

If the upper limit of the frequency band is reached before this happens, the upper limit frequency is shown with dB displayed instead of the channel number.

Otherwise, when this process ends, the last frequency tuned to and its corresponding channel number are displayed. If, while this operation is taking place within a particular broadcast band, that same broadcast band button is pressed, the operation stops and the broadcast currently being tuned to is heard. If a different broadcast band button is pressed, the operation stops and the broadcast last tuned to when that band was listened to is heard.

Note:

To cancel the auto memory function, press one of the buttons in the tuner section other than the AUTO MEMORY or PRESET SELECT button.

33 PRESET SELECT

Press to set to preset channels 1 - 8 or 9 - 16, 1 - 8 or 9 - 16 PRESET SELECT indicator lights. Up to 16 stations for each band (FM 16, AM 16) can be preset as required. Even when you pushed MEMORY button and then changed 1 - 8 and 9 - 16 by pressing this button, it is possible to accomplish preset memory by pressing the TUNER PRESET STATIONS button.

34 CATV (only for the U.S.A. and Canada)

To listen to an FM broadcast received by the FM antenna attached to the CATV IN terminal, or to a cable TV program received via the connected CATV cable, press this button. The CATV indicator will light.

When the CATV indicator is not lit, FM broadcasts received by the antenna connected to the FM ANTENNA terminal can be heard. In addition, CATV channel frequencies can be stored in preset station memories. To hear the audio portion of a CATV channel so stored, simply press the appropriate PRESET STATION button. Pressing this button is then not necessary.

35 TUNER PRESET STATIONS

These buttons are used to select one of the preset stations or to store a frequency in memory.

When one of these buttons is pressed, the preset number is shown by the TUNER PRESET indicator.

If one of these buttons is pressed when the MEMORY button has been pressed, the frequency which is being received will be stored in memory.

36 STOP LEVEL

This is used to set the strength of broadcast signals at which the scan tuning stops by 5 dB steps for 30 - 60 dB in FM and 60 - 90 dB in AM.

Note:

•0 dB corresponds to 1 μ V/75 ohms in FM and 1 μ V/m in AM.

37 CH/dB

Press to select either the channel indication or dB indication.

If one of the station select buttons is not pressed beforehand, only the dB indication is shown and this button has no effect.

38 PRESET SCAN

This button permits scanning of the preset stations. When this button is pressed, preset station 1 is tuned in, and its number flashes for about five seconds. This continues for each of the other stations, until all 16 (in the AM or FM band) have been scanned. When the desired station is received, pressing the PRESET SCAN button stops the scanning and the RX-7VBK/RX-9VBK remains tuned to the station. If no stations were selected during this function, the frequency tuned to before this function was initiated is tuned to again.

39 FM MODE/MUTE

For normal FM reception and automatic elimination of interstation noise, press this button so that FM MODE's "AUTO" and FM MUTE's "ON" light in the display.

When receiving a weak or noisy FM stereo broadcast, press this button so that "MONO" of FM MODE and "OFF" of FM MUTE light; the broadcast will be heard in mono but the clarity of reception will be improved.

40 TUNING UP/DOWN

DOWN: Press to tune to lower frequencies.

UP: Press to tune to higher frequencies.

Manual tuning

Tapping these buttons changes the frequency in single steps of 9 or 10 kHz in AM, or 50 or 100 kHz in FM.

Auto tuning

Holding either button pressed for more than one second and then releasing it starts auto tuning; when a broadcast is received, tuning will stop. But if either button is kept held in, scanning continues even when a broadcast is received. In auto tuning, pressing either button again stops scanning.

Note:

• When one of these buttons is being tapped, the frequency causes to change at the upper or lower limit of the frequency band. In auto tuning, the frequency scanning reverses direction when the upper or lower limit is reached.

41 SPEAKERS

SPEAKERS-1

Press to switch the speakers connected to the SPEAKERS 1 terminals on or off.

SPEAKERS-2

Press to switch the speakers connected to the SPEAKERS 2 terminals on or off.

42 Headphone jack (PHONES)

Plug stereo headphones into this jack for private listening and recording monitoring. If you want to listen to sound from the headphones only, press the SPEAKERS buttons to OFF.

43 SEA PRESET

Press to store the displayed S.E.A. pattern in memory or to recall the preset S.E.A. pattern corresponding to the button pressed. While in the MANUAL mode, pressing the SEA MEMORY button and then one of these five buttons will store the pattern you have created. Later, while in MANUAL mode, that pattern can be recalled by pressing the appropriate SEA PRESET button. Up to five original patterns can be stored for recall in this way.

A different set of S.E.A. patterns is available when in the PROGRAMED mode. These five patterns (HEAVY, CLEAR, SOFT, MOVIE, and VOCAL) have been permanently stored in memory before the unit was shipped, and may not be replaced. So, up to 10 patterns may be recalled. For more details, refer to page 16.

44 SEA LEVEL

The built-in graphic equalizer divides the audio spectrum into seven frequency bands with center frequencies from 63 Hz to 16 kHz at intervals of 4/3 octave.

When the S.E.A. level is set to '0' (center position), frequency response is flat. The response in each band can be varied by ± 10 dB by pressing the UP or DOWN SEA LEVEL buttons.

The buttons for different frequency bands can be pressed at the same time, and holding them down causes the level to continue rising or falling.

63 Hz: Raise to emphasize the very low bass response of organs, drums, and contrabass. It produces stable and solid sound with emphasis and eliminates the unclear sound response of low frequencies with de-emphasis.

160 Hz: Emphasize to obtain a more expanded low sound. De-emphasize to eliminate unclear sound caused by large or nearly empty listening rooms.

400 Hz: This frequency range is the base on which music is constructed. Emphasize to really put a punch in your music.

1 kHz: Most effective in emphasizing or de-emphasizing the human voice. Emphasize to cause the vocalist to be brought to the foreground, or de-emphasize to cause it to recede into the background.

2.5 kHz: This frequency stimulates the human ear. If the music sounds hard or metallic, de-emphasize.

6.3 kHz: Boost to add clarity to winds and strings. This frequency band varies the tonal expression, influencing the subtleties of the music.

16 kHz: Boosting this frequency range properly adds to the delicacy of highs, with cymbals and triangles resounding in a more ear-pleasing manner, and provides a feeling of extension. This frequency band can also be used to compensate for cartridge response since most moving-magnet cartridges have their resonance peaks in the frequency range from 10 kHz to 20 kHz.

45 SEA MEMORY

Press this button and the MEMORY indicator will light for about five seconds. While it is lit, press one of the SEA PRESET buttons to store in memory the SEA pattern currently being displayed.

46 MANUAL/PROGRAMED

Press to switch between the MANUAL and PROGRAMED SEA pattern modes.

47 SOUND SELECTOR

When this button is pressed (lighting the SOUND SELECTOR indicator), the SOUND signal can be selected from a different AUDIO source in combination with the VISUAL signal originating from the VIDEO source.

Example: When the VIDEO 1 button and the SOUND SELECTOR button are pressed:

Now, press an AUDIO source selector button (CD, PHONO, AM, FM, TAPE 1, TAPE 2, AUX). The VISUAL signal from the VIDEO 1 terminal is output to the VIDEO MONITOR OUT A terminal and the VIDEO VCR REC terminal. The SOUND signal from the audio source is heard from the speakers or headphones, and is output to the AUDIO VCR REC terminal. In this way, a VCR may record the SOUND and VISUAL signals from separate sources.

48 SEA

FLAT: Press this button for a flat response.

REVERSE: Press this button to reverse the pattern's characteristics.

SOURCE: Press this button to listen to the S.E.A.-compensated sound.

REC: Press this button to record S.E.A.-compensated signals.

Notes:

- The settings of the **SOURCE** and **REC** buttons are shown in the signal flow chart.
- When the **TAPE 1**, **TAPE 2**, or **TAPE 2 DUBBING** button is pressed, either the **SEA SOURCE** or the **SEA REC** mode can be selected.

49 VIDEO

VIDEO 1: Press this button to select the source from the video unit connected to the VIDEO 1 terminals.

VIDEO 2: Press this button to select the source from the video unit connected to the VIDEO 2 terminals.

VCR: Press this button to select the source from the VCR connected to the VCR terminals.

50 AUDIO

AUX: Press this button to listen to the source connected to the AUX terminals.

CD: Press this button to listen to a compact disc player connected to the CD terminals.

PHONO: Press to listen to a turntable connected to the PHONO terminals.

FM: Press this button to listen to an FM broadcast.

AM: Press this button to listen to an AM broadcast.

TAPE 1: Press to listen to a tape deck connected to the TAPE 1 terminals.

TAPE 2: Press to listen to a tape deck connected to the TAPE 2 terminals. Another press of this button will release this function so that the source selected by another source select button may be heard.

51 SPI/SEA

Press to switch the indication between the SPECTRO PEAK INDICATOR and SEA GRAPHIC EQUALIZER level indicator.

52 DISPLAY LEVEL (DOWN/UP)

Adjusts the relative display position on the SPECTRO PEAK INDICATOR so that especially weak or strong level signals can be displayed in an easy-to-see position. This button has no effect on the output sound level.

53 MC/MM (RX-9VBK only)

MM: Press this button so that "MM" is shown on the display when using an MM cartridge or an MC cartridge with an output of more than 0.5 mV.

MC: Press this button so that "MC" is shown on the display when using an MC cartridge with an output of less than 0.5 mV.

54 LOUDNESS

Press this button to compensate for the ear's lower sensitivity at low listening levels.

55 ACOUSTIC EXPANDER

When this button is pressed, the ACOUSTIC EXPANDER indicator lights and the sound image is expanded; a monaural signal will be given a stereo effect and a stereo signal sounds better.

Notes:

- When a TV or VCR is monaural, use the L and R distributor (mono - L and R) for connecting the left and right terminals.
- The ACOUSTIC EXPANDER sound effect cannot be recorded.

56 TAPE 2 DUBBING

Press to dub from TAPE 2 to TAPE 1 and VCR.

Another press of this button will release this function.

57 BALANCE (LEFT/RIGHT)

Use to adjust the balance between the left and right speakers. Press the LEFT button once to adjust the balance to the left by one step and the RIGHT button to adjust to the right. Holding them pressed changes the balance continuously. The BALANCE indicator is shown on the display.

58 MUTE

Press this button, and the MUTE indicator will light and the sound will be instantaneously muted. To return the volume to its original level, press this button again, or press the BALANCE or VOLUME buttons.

59 VOLUME (DOWN/UP)

Adjust the volume of speakers or headphones. Press the UP button once to increase the volume by one step, and the DOWN button once to decrease it by one step; this level is shown by the VOLUME indicator. Holding down one of these buttons will cause the volume to progressively rise or fall.

COMPU LINK REMOTE CONTROL SYSTEM

COMPU LINK /// Remote /// Control Component

The COMPU LINK remote control system was developed by JVC. You can not only control each COMPU LINK component from the remote control unit, but also perform the following advanced operations with ease.

Automatic source selection

If the attached remote cable is used to connect this unit to other JVC components with SYNCHRO terminals, sources can be switched with just one touch of this unit's source selector buttons and the corresponding component will start to play automatically. The source select button of the remote control unit or the appropriate component's activation button may also be used.

When switching over from one component to another, such as the cassette deck, turntable or CD player, the previous component will stop playing after about five seconds.

Synchronized recording

Synchronized recording refers to the process whereby the cassette deck automatically commences recording, in synchronization with the CD player or turntable.

Set the cassette deck to REC/PAUSE mode according to the procedures in the instruction manual.

When synchronously recording the CD player, push the PLAY button on the CD player.

The cassette deck enters the record mode the moment the CD player starts and synchronized recording commences.

Synchronized recording stops automatically when the CD player stops playing.

To cancel synchronized recording, push the STOP button of the CD player, turntable or cassette deck.

Notes:

- When the REC/PAUSE mode is set by pushing PAUSE after depressing the REC and PLAY buttons simultaneously, synchronized recording is not possible. For details, refer to your cassette deck's instruction manual.
- Abnormal operation will result if the power supply of one of the components is interrupted during synchronized recording. If this happens, push the activation button again to restart.
- Ensure that the SYNCHRO terminal of each component is connected with the attached remote cable. Be sure to read the instruction manual for each component very carefully.
- The source is locked to CD or PHONO position during synchronized recording to avoid accidental stops or changing to another source. To change the source, first cancel the synchronized recording.

CAUTION:

- When a component (such as a cassette deck) is connected to the TAPE 2 terminals of the receiver, do not connect the SYNCHRO terminals of such component to any other component with a remote cable.

REMOTE CONTROL UNIT (RM-S9)

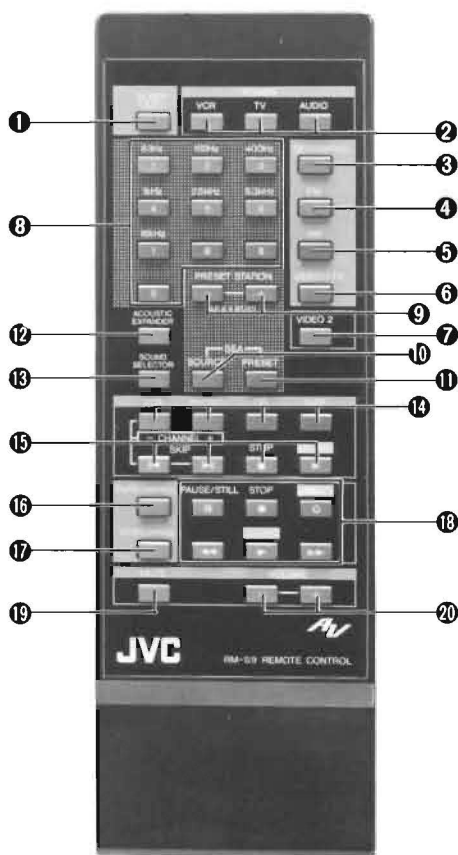


Fig. 16

1 SLEEP TIMER

Each time this button is pressed, the sleep timer's setting is increased in 10-minute steps up to 60 minutes, and its setting is shown on the display.

2 POWER

VCR: Press this button to switch the VCR's power on or off.

TV: Press this button to switch the TV's power on or off.

Note:

As long as one of the JVC-specified VCRs or TVs is used, it can be remote-controlled.

AUDIO: Press this button to switch the RX-7VBK, RX-9VBK's power on or off, and to turn on or off the AC outlets.

3 SEA CONTROL

Press this button, then use the S.E.A. frequency band select buttons to select the frequency band to be adjusted, then press the SEA LEVEL buttons to adjust it.

4 FM

Press this button to listen to an FM broadcast.

5 AM

Press this button to listen to an AM broadcast.

6 VIDEO 1/TV

Press this button to watch the TV or the video equipment connected to the VIDEO 1 terminals.

7 VIDEO 2

Press this button to watch the video equipment connected to the VIDEO 2 terminals.

8 S.E.A. frequency band select buttons/Buttons for direct access to FM/AM presets or TV channels

Once the SEA CONTROL button has been pressed, a particular frequency band can be chosen with these buttons for adjustment with the SEA LEVEL buttons.

When the FM or AM button has been pressed, these buttons can be used to select the preset station by pressing the preset station number as follows.

1) For channels one to nine: push the "0" button, then the desired channel number. e.g., "0" – "1" (channel 1), "0" – "2" (channel 2).

2) For channels ten and above: push the buttons in the order the digits of the channel number appear. e.g., "1" – "0" (channel 10), "1" – "1" (channel 11).

When the VIDEO 1/TV button has been pressed, these buttons can be used to select a TV channel.

Note:

Before operating the television by remote control, be sure to carefully read the television instruction manual.

9 PRESET STATION/SEA LEVEL

When the SEA CONTROL button has been pressed, these buttons can be used to adjust the S.E.A. level of the frequency band selected by the SEA frequency band select buttons.

When the FM, AM, or VIDEO 1/TV button has been pressed, a preset station or TV channel can be selected by using these buttons to sequentially scan the preset stations or channels in either direction.

10 SEA SOURCE

Press this button to listen to the source with S.E.A. compensation.

11 SEA PRESET

Press this button to select an S.E.A. preset pattern. Each time this button is pressed, the preset pattern the equalizer is set to successively changes in this order: MANUAL A – B – C – D – E – PROGRAMED A – B – C – D – E, then returns to MANUAL A again.

12 ACOUSTIC EXPANDER

Press this button to switch the acoustic expander function on or off.

13 SOUND SELECTOR

Use this button to combine the VISUAL signal from a VIDEO source with the SOUND signal from a different AUDIO source.

14 Source selectors

VCR: Press to select the VCR connected to the VCR terminals.

PHONO: Press to listen to a turntable connected to the PHONO terminals.

CD: Press to listen to a compact disc player connected to the CD terminals.

TAPE 1: Press to listen to a tape deck connected to the TAPE 1 terminals.

15 Operation buttons for the compact disc player/turntable/tape deck/VCR, as selected by the source selectors

CHANNEL/SKIP: Press these buttons to skip tracks on compact discs, scan the tunes on tapes, and change channels on the VCR's tuner.

STOP: Press this button to stop playing the compact disc player, tape deck, turntable, or VCR.

PLAY: Press this button to start playing the compact disc player, tape deck, turntable, or VCR.


16 TAPE CONTROL


Press this button to operate the tape deck connected to the TAPE 1 terminals.

17 VCR CONTROL

Press this button to operate the VCR connected to the VCR terminals.

18 Operation buttons for the tape deck/VCR selected by the TAPE CONTROL or VCR CONTROL

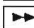
 **(PAUSE/STILL):** Press this button to pause during playback or recording. To release this function, press the PLAY button.

 **(STOP):** Press this button to stop operation.

 **(REC):** Press this button with the PLAY (▶) button to record with the tape deck or VCR. When this button is pressed with the PAUSE/STILL (⏸) button, REC-PAUSE mode is activated.

 : Press to fast wind the tape from right to left.

 **(PLAY):** Press this button to play a tape.

 : Press to fast wind the tape from left to right.

19 MUTE

Press this button to instantly mute the sound. To return the volume to its original level, press this button again, or press the BALANCE or VOLUME button.

20 VOLUME

Press the "+" button to increase the volume and the "-" button to decrease it.

Battery

●How to install the batteries (Fig. 17)

1. Slide the cover of the battery case in the direction of the arrow to remove it.
2. Install the provided batteries (AA, SUM-3, R6: 1.5 V), with their polarities properly placed.
3. Re-install the cover of the battery case.

●Battery life

The batteries can be used for about one year.

●Battery replacement time

When the distance at which the remote control unit functions begins to decrease, replace both batteries.

Notes:

- When the remote control is operated too near the receiver during AM reception, it may cause interference.
- The remote control can be used up to about 8 m (26 ft) from the receiver.

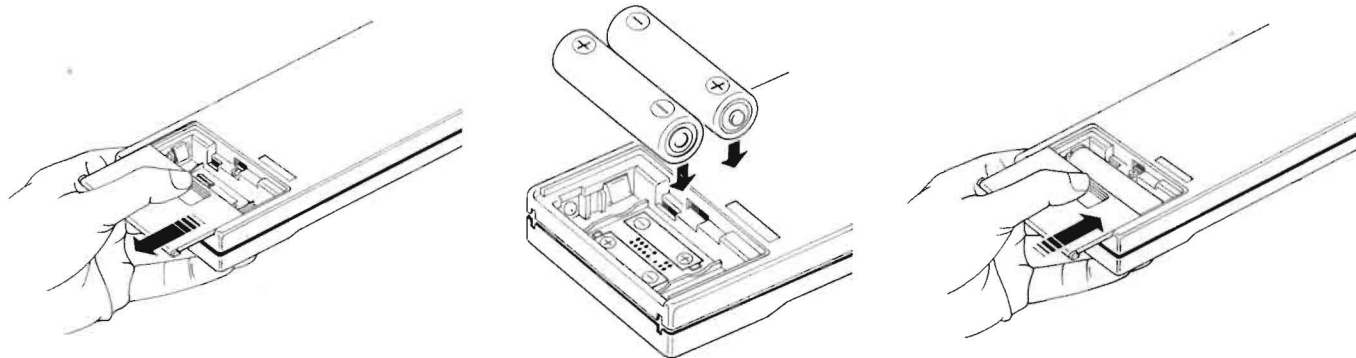


Fig. 17

●How to use the provided connection bar (Fig. 18)

When using the RM-S9 with a compatibly-designed remote control unit of a TV or other component, connect the two units with the connection bar as follows.

Notes:

- For safety, remove the bar when the units are separated.
- To protect yourself from the connection bar's exposed edges, remove the bar from the unit after draping it with a cloth.

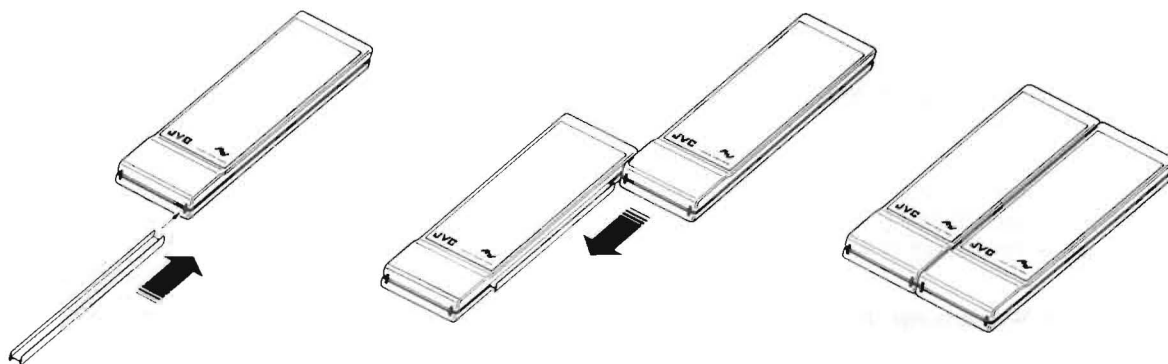


Fig. 18

OPERATION

Before use

Connect each component correctly, and then plug the power cord to an AC wall outlet.

Basic operation

1. Press the POWER button to on.
2. Select the speaker system with the SPEAKERS buttons.
3. Proceed through the steps described below according to your purpose.
4. Adjust the volume and balance to your requirement.
5. Use the SEA buttons to obtain the tone you want to hear.

Presetting to selected stations (FM or AM)

There are two ways to preset stations using the TUNING buttons . . . 1. Auto tuning/manual tuning, 2. Auto memory function.

1 Auto tuning/manual tuning

(Refer to **40** TUNING UP/DOWN buttons.)

1. Press the FM or AM button.
2. Tune to a desired station by pressing the TUNING button for auto tuning or tapping it for manual tuning.
3. Press the PRESET SELECT button as required, so that the PRESET SELECT indicator shows "1 - 8" or "9 - 16".
4. Press the MEMORY button so that the MEMORY indicator lights.
5. Press one of the TUNER PRESET STATIONS buttons.
6. Perform the same pre-tuning procedure (steps 2, 3, 4) for the remaining channels. Pre-tuning is possible for up to 32 stations (16 FM and 16 AM stations).

2 How to operate the auto memory function

(Refer to **42** AUTO MEMORY button.)

1. Press the FM or AM button.
2. Tune to the frequency from which you wish the AUTO MEMORY function begins its scanning.
3. Press the PRESET SELECT button as required.
4. Press a TUNER PRESET STATIONS button and then the AUTO MEMORY button. The AUTO MEMORY indicator lights and auto scanning starts from the displayed frequency upward. When a broadcast is tuned in, its signal strength is shown in dB for one second and the channel number you have pressed earlier flickers for three seconds. If you do not press the AUTO MEMORY button, the MEMORY indicator and channel number light together and the frequency is stored in that channel. Then the next channel number is shown and upscanning restarts, in search of a frequency to store in the next channel. This process continues until the highest numbered channel preset station has a frequency in its memory or auto scanning reaches the highest frequency.

Listening to broadcasts

1. Press the FM or AM button.
2. Press the desired preset station select button to listen to any channel. The channel number corresponding to the button pressed is shown in the display.

Notes:

- Adjust the antenna so that the signal strength is as strong as possible using the dB and SIGNAL LEVEL indications.
- When FM broadcast signals are too weak to be received, press the FM MODE/MUTE button to show "MONO"/"OFF".
- For the reception of AM broadcasts, set the loop antenna in the position where reception is best.
- Before listening to broadcasts, first preset the stations correctly; if they are not pre-tuned accurately, reception will be noisy.

Listening to records

1. Press the PHONO button so that the PHONO indicator lights. (RX-9VBK: Set the MC/MM button as required.)
2. Operate the turntable as described in its operation manual.

Notes:

- Use a turntable with an MM cartridge (RX-7VBK only).
- If your turntable has a separate ground lead, connect it to the GND terminal.

Listening to tapes

1. Press the TAPE 1 or 2 button so that the TAPE 1 or 2 indicator lights.
2. Operate the tape deck for playback as described in its operation manual.

Watching and listening to VIDEO 1 (VIDEO 2)

1. Press the VIDEO 1 (VIDEO 2) button so that the SOUND and VISUAL indicators light and "VIDEO 1" ("VIDEO 2") is shown with each one.
2. Operate the video unit as described in its operation manual.

Note:

- Connect the video and audio signal cords of the video unit to the AUDIO and VIDEO terminals of this unit. If a unit other than a video unit is connected, connect it to the AUDIO terminals only.

When the SOUND SELECTOR function is used

Refer to **47** SOUND SELECTOR button on page 10.

1. Press the VIDEO 2 (VIDEO 1, VCR) button; the corresponding SOUND and VISUAL indicators in the display will light (Fig. 19).

2. Operate the video unit as described in its operation manual. With this setting, the SOUND and VISUAL signals input via the VIDEO 2 (VIDEO 1, VCR) terminals are output.
3. Press the SOUND SELECTOR button so that the SOUND SELECTOR indicator lights.
4. Press the desired AUDIO source selector button (CD, PHONO, AM, FM, TAPE 1, TAPE 2, AUX) (Fig. 20). The SOUND signal of the source thus selected is output from the speakers, while the VISUAL signal from the VIDEO 2 (VIDEO 1, VCR) terminals is output from the MONITOR OUT terminals.

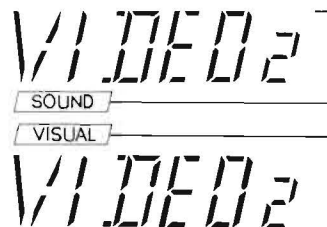


Fig. 19

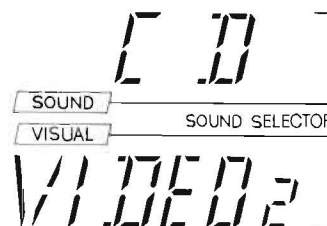


Fig. 20

Watching and listening to a VCR

1. Press the VCR button.
2. Operate the VCR for playback as described in its operation manual.

Recording tapes

Recording from records

1. Press the PHONO button so that the PHONO indicator lights.
2. Operate the turntable. (RX-9VBK: Set the MC/MM button as required.)
3. Operate the tape deck for recording.

Notes:

- You can also monitor the sound being recorded with headphones.
- The sound you hear from the speakers or headphones is the source sound (record playback sound in this case), not the recording on the tape.
- If you have a three-head tape deck with independent record and playback heads or a tape deck having an independent monitor facility, operate it as follows.

If you are using the JVC three-head tape deck provided with SYNCHRO terminals:

1. Connect the SYNCHRO terminals of each unit using the remote cables.
2. Connect the tape deck to the TAPE 1 terminals.
3. You can monitor the recorded sound while recording by pressing the TAPE 1 button. But, do not monitor while in the SEA REC mode, since pressing this button cancels the SEA REC function.
4. To return to listening to the source sound, press the button of the recorded sound's source.

Note:

- During synchronized recording, the source is locked to CD or PHONO position to avoid accidental stops or changing to another source. In this case, you can not perform the monitoring facility.

If you are using a three-head tape deck without the SYNCHRO terminal:

1. Connect the tape deck to the TAPE 2 terminals.
2. You can monitor the recorded sound while recording by pressing the TAPE 2 button.

Recording from other sources (AM, FM, CD, AUX, VCR, VIDEO 1, and VIDEO 2)

Press the button corresponding to the source to be recorded. All other operations are identical to those when recording from records.

*For S.E.A. recording using the SEA REC button, refer to page 17.

Recording from a video unit

1. Press the VIDEO 1 (VIDEO 2) button.
2. Operate the video unit (VIDEO 1, 2).
3. Operate the VCR for recording.

Note:

•When the SOUND SELECTOR button is pressed, the SOUND SELECTOR function can be used for recording as described on page 10. The VISUAL signal from the VIDEO 1 (VIDEO 2) terminal and the SOUND signal selected are recorded on the VCR. (The SOUND signal cannot come from other video units when the SOUND SELECTOR function is being used.)

*For S.E.A. recording using the SEA REC button, refer to page 17.)

Using stereo headphones

Stereo headphones can be plugged into the front panel jack. The signal from this jack is independent of the speakers.

1. Plug stereo headphones into this jack for private listening.

2. To listen through headphones while listening to the speakers, press the appropriate SPEAKERS button to ON (—).

Note:

•Pull out the headphone plug when not in use.

Tape dubbing

To perform tape dubbing, two tape recorders should be connected, one to the TAPE 1 terminals (called "No. 1" tape deck) and another to the TAPE 2 terminals (called "No. 2" tape deck).

Dubbing from No. 2 to No. 1

1. Press the TAPE 2 DUBBING button so that the TAPE 2 DUB indicator lights.
2. Operate No. 2 tape deck for playback.
3. Operate No. 1 tape deck for recording.
4. Press the TAPE 2 button to monitor the sound through speakers or headphones.

Notes:

- Deck-to-deck dubbing is possible while listening to any other source. To do this, press the TAPE 2 button so that the TAPE 2 MONITOR indicator goes out; operate the two tape decks for dubbing and select the other source you want to hear with the corresponding source select button.
- During dubbing, S.E.A. recording is possible.
- Dubbing the SOUND signal from the No. 2 tape deck to a VCR and the No. 1 tape deck, from the No. 1 tape deck to the No. 2 tape deck and a VCR, and from a VCR to the No. 1 and No. 2 tape decks are possible; in these cases, S.E.A. recording is possible.

OPERATION OF THE S.E.A. GRAPHIC EQUALIZER

Compensation for room acoustics

The frequency response of a listening room varies depending on the room's shape or furnishings, and the position of the listener in the room. Each listening position in the room provides the listener with a different set of frequency responses, as a result of different degrees of reverberation, reflection, echo, and absorption affecting each frequency.

The S.E.A. system can function to make the sound response of a room flat by emphasizing those frequencies having a high degree of absorption and de-emphasizing those frequencies having a high degree of reflection.

The frequency ranges affected by 'absorption' and 'reflection' are narrow; therefore, it is only necessary to compensate the corresponding frequency band.

Since conventional tone control systems simply adjust the highs and lows centered around the 1 kHz frequency, they are both imprecise and incomplete.

The RX-7VBK/RX-9VBK monitors and equalizes seven separate audio frequency bands, thus allowing you to make the necessary adjustments in the precisely appropriate frequency bands in order to compensate for the acoustic response of a room and any listening position in it.

Custom sound processing

When a studio recording is made, the sound signals are processed to produce sound that is unique to a particular group or orchestra. With the RX-7VBK/RX-9VBK, you can do this at home — producing sound tailored exactly to your tastes by emphasizing or de-emphasizing various parts of the music.

Operation

S.E.A. pattern memory

For your own sound compensation and processing, you can use the 10 PROGRAMED and MANUAL preset S.E.A. patterns.

PROGRAMED

These five S.E.A. patterns were preset at the factory to offer suggested settings for various types of audio programs. Each preset pattern is shown below. After recalling these patterns, you can further change each frequency band to suit yourself. However, since they are representative patterns, the original, stored pattern will be unchanged.

HEAVY (A)

Used for music with a heavy beat, such as rock music. Low frequencies are emphasized to produce a deeper, more powerful sound. Higher frequencies are also emphasized to enhance and bring clarity to the highs, including the percussive notes.

CLEAR (B)

For crisp, clear sound with transparent highs. The low and middle frequencies that tend to be unclear are de-emphasized, and the middle and high frequencies that strengthen the vocal component of the music are emphasized.

SOFT (C)

For background music. The very low frequencies, which need boosting at low volume levels, are emphasized, and the stimulating effect of higher frequencies is diminished by de-emphasizing high frequencies.

MOVIE (D)

For TV, VCR, and videodisc sound. The low and high frequencies, which are usually of insufficient strength in the sound of these sources, are emphasized to produce a balanced, deeper sound. Also, the excessive brightness that is characteristic of these sources' sound is cut back by de-emphasizing the middle frequency band.

VOCAL (E)

For music that is chiefly vocal, or speech. The middle frequencies, which carry the human voice, are emphasized, while surrounding frequencies are reduced. To accent the higher vocal notes, the highest frequencies are also boosted.

MANUAL

These five S.E.A. pattern memories are provided to allow you to create, store, and recall up to five S.E.A. patterns.

To store the S.E.A. pattern in memory, proceed as follows:

1. Set the S.E.A. pattern using the SEA LEVEL UP/DOWN buttons. This will cause the MANUAL indicator to light, if it has not been lit already.
2. Press the MEMORY button. The MEMORY indicator will light for five seconds.

SPECIFICATIONS

RX-7VBK

AMPLIFIER SECTION AUDIO

Output power :

70 watts per channel, min. RMS, both channels driven, into 8 ohms from 20 Hz to 20 kHz, with no more than 0.007 % total harmonic distortion.

80 watts per channel, min. RMS, both channels driven, into 8 ohms from 40 Hz to 20 kHz, with no more than 0.2 % total harmonic distortion.

75 watts per channel, min. RMS, both channels driven, into 8 ohms at 1 kHz with no more than 0.003 % total harmonic distortion.

80 watts per channel, min. RMS, both channels driven, into 8 ohms at 1 kHz (DIN).

Total harmonic distortion	: 0.003 % at 75 watts (1 kHz, 8 ohms)
Intermodulation distortion	: 0.007 % at 70 watts
Damping factor	: 45 at 8 ohms, 1 kHz
Input sensitivity/impedance	
PHONO	: 2.5 mV/47 kohms
TAPE 1 PLAY,	: 230 mV/47 kohms
TAPE 2 PLAY,	
CD, AUX, VCR PLAY,	
VIDEO 1, VIDEO 2	
Recording output level	: 220 mV
Frequency response	
PHONO (RIAA equalization)	: 20 Hz – 20 kHz, +0.5 dB, -0.5 dB
TAPE 1 PLAY,	: 5 Hz – 50 kHz, +0 dB,
TAPE 2 PLAY,	-1 dB
CD, AUX, VCR PLAY,	
VIDEO 1, VIDEO 2	

3. During this period, press the appropriate SEA PRESET button to store the pattern in memory. The SEA PRESET indicator corresponding to the button just pressed will light, the MANUAL indicator will re-light, and the MEMORY indicator will go off.

S.E.A. recording

The S.E.A. graphic equalizer tailors the sound to your own particular taste or compensates for room acoustics or system characteristics, as described on page 16. The RX-7VBK/RX-9VBK is equipped with an SEA REC button which makes it possible to record with the added effect of the S.E.A.

Operation

1. Set the S.E.A. pattern as required.
2. Press the SEA REC button.
3. Proceed in the same way as in normal recording.

Notes:

- Pressing the VOLUME buttons during S.E.A. recording will not affect the recording level.
- When the TAPE 1, TAPE 2, or TAPE 2 DUBBING button is pressed, while S.E.A. recording, the SEA SOURCE mode cannot be selected.

S.E.A. graphic equalizer

Center frequencies	: 63 Hz, 160 Hz, 400 Hz, 1 kHz, 2.5 kHz, 6.3 kHz, 16 kHz	
Control range	: ±10 dB	
Signal-to-noise ratio		
PHONO	: 71 dB (‘66 IHF) 78 dB (‘78 IHF) (Rec out)	66 dB (DIN)
TAPE 1 PLAY,	: 100 dB	67 dB (DIN)
TAPE 2 PLAY,	(‘66 IHF)	
CD, AUX, VCR PLAY,	77 dB	
VIDEO 1, VIDEO 2	(‘78 IHF)	

RX-9VBK

AMPLIFIER SECTION AUDIO

Output power :

(For the U.S.A. and Canada)

120 watts per channel, min. RMS, both channels driven, into 8 ohms from 20 Hz to 20 kHz, with no more than 0.007 % total harmonic distortion

130 watts per channel, min. RMS, both channels driven, into 8 ohms from 40 Hz to 20 kHz, with no more than 0.2 % total harmonic distortion.

125 watts per channel, min. RMS, both channels driven, into 8 ohms at 1 kHz with no more than 0.003 % total harmonic distortion.

120 watts per channels, min. RMS, both channels driven, into 8 ohms at 1 kHz (DIN).

(For the U.K. and Continental Europe)

115 watts per channel, min. RMS, both channels driven, into 8 ohms from 20 Hz to 20 kHz, with no more than 0.007 % total harmonic distortion.

115 watts per channel, min. RMS, both channels driven, into 8 ohms at 1 kHz with no more than 0.003 % total harmonic distortion.

120 watts per channel, min. RMS, both channels driven, into 8 ohms at 1 kHz (DIN).

(For other areas)

120 watts per channel, min. RMS, both channels driven, into 8 ohms from 20 Hz to 20 kHz, with no more than 0.007 % total harmonic distortion.

120 watts per channel, min. RMS, both channels driven, into 8 ohms at 1 kHz with no more than 0.003 % total harmonic distortion.

120 watts per channel, min. RMS, both channels driven, into 8 ohms at 1 kHz (DIN).

Total harmonic distortion (1 kHz, 8 ohms)	: (For the U.S.A. and Canada) 0.003 % at 125 watts (For the U.K. and Continental Europe) 0.003 % at 115 watts (For other areas) 0.003 % at 120 watts	
Intermodulation distortion	: (For the U.S.A. and Canada) 0.007 % at 120 watts (For the U.K. and Continental Europe) 0.007 % at 115 watts (For other areas) 0.007 % at 120 watts	
Damping factor	: 45 at 8 ohms, 1 kHz	
Input sensitivity/impedance		
PHONO MC	: 250 μ V/100 ohms	
MM	: 2.5 mV/47 kohms	
TAPE 1 PLAY, TAPE 2 PLAY, CD, AUX, VCR PLAY, VIDEO 1, VIDEO 2	: 230 mV/47 kohms	
Recording output level	: 230 mV	
Frequency response		
PHONO (RIAA equalization)	: 20 Hz – 20 kHz, +0.5 dB, -0.5 dB	
TAPE 1 PLAY, TAPE 2 PLAY, CD, AUX, VCR PLAY, VIDEO 1, VIDEO 2	: 5 Hz – 50 kHz, +0 dB, -1 dB	
S.E.A. graphic equalizer		
Center frequencies	: 63 Hz, 160 Hz, 400 Hz, 1 kHz, 2.5 kHz, 6.3 kHz, 16 kHz	
Control range	: \pm 10 dB	
Signal-to-noise ratio		
PHONO (MM)	: 80 dB	66 dB (DIN)
	('66 IHF)	
	80 dB ('78 IHF)	
	(Rec out)	
TAPE 1 PLAY, TAPE 2 PLAY, CD, AUX, VCR PLAY, VIDEO 1, VIDEO 2	: 100 dB	67 dB (DIN)
	('66 IHF)	
	77 dB ('78 IHF)	

RX-7VBK/RX-9VBK

FM TUNER SECTION

	'78 IHF	DIN (For Europe)
Tuning range	: 87.5 MHz – 108.0 MHz	87.5 MHz – 108.0 MHz
Usable sensitivity	: Mono 10.3 dBf 0.9 μ V/75 ohms 1.8 μ V/300 ohms	–
26 dB quieting sensitivity	: –	1 μ V/75 ohms 2 μ V/300 ohms
50 dB quieting sensitivity	: Mono 14.8 dBf (1.5 μ V/75 ohms 3.0 μ V/300 ohms) Stereo 38.3 dBf (22.5 μ V/75 ohms 45 μ V/300 ohms)	–
S/N 46 dB stereo sensitivity	: –	Stereo 23 μ V/75 ohms Stereo 46 μ V/300 ohms
Signal-to-noise ratio	: Mono 84 dB Stereo 78 dB (A-net)	Mono 78 dB Stereo 72 dB (weighted)
Total harmonic distortion 1 kHz	: Mono 0.08 % Stereo 0.08 %	Mono 0.08 % Stereo 0.08 %
Frequency response	: 30 Hz – 15 kHz, +0.5 dB, -0.8 dB	
Capture ratio	: 1.5 dB	
Alternate channel selectivity	: 70 dB	
Image response ratio	: \pm 400 kHz	
IF response ratio	: 90 dB at 98 MHz 100 dB at 98 MHz	
Stereo separation	: 50 dB at 1 kHz 45 dB at 1 kHz	

AM TUNER SECTION

	'78 IHF	DIN (For Europe)
Tuning range	: 522 kHz – 1,629 kHz Channel space 9 kHz 530 kHz – 1,630 kHz Channel space 10 kHz 530 kHz – 1,710 kHz (For U.S.A. and Canada)	
Sensitivity	: 30 μ V* 250 μ V/m*	
Signal-to-noise ratio	: 50 dB* (100 mV/m)	
Selectivity	: 38 dB, \pm 10 kHz 35 dB, \pm 9 kHz*	
Image response ratio	: 40 dB*	
IF response ratio	: 65 dB	
Total harmonic distortion	: 0.5 %* (100 mV/m)	

VIDEO SECTION

Output signal level (VCR OUT) (MONITOR OUT A, B)	: 1 Vp-p (at 1 Vp-p input)
Impedance	: 75 ohms unbalanced
Synchronization	: Negative
Signal-to-noise ratio	: 45 dB
Crosstalk	: 45 dB (3.58 MHz)

Design and specifications subject to change without notice.

* Measured at 1,000 kHz for '78 IHF and at 999 kHz for DIN.

DIMENSIONS AND WEIGHT

Model	Dimensions			Weight
	Width	Height	Depth	
RX-9VBK	435 mm 17-3/16"	126.5 mm 5"	381 mm 15"	10.4 kg 23.0 lbs.
RX-7VBK	435 mm 17-3/16"	117 mm 4-5/8"	381 mm 15"	9.3 kg 20.5 lbs.

POWER SPECIFICATIONS

Areas	Line voltage & frequency	Power consumption	
		RX-9VBK	RX-7VBK
U.S.A. Canada	AC 120 V~, 60 Hz	410 watts 520 VA	310 watts 400 VA
Continental Europe	AC 220 V~, 50 Hz	300 watts	210 watts
U.K. Australia	AC 240 V~, 50 Hz	300 watts	210 watts
Other areas	AC 110/120/220/240 V~ selectable, 50/60 Hz	300 watts	260 watts

JVC
VICTOR COMPANY OF JAPAN LIMITED